

A large, semi-transparent watermark of the NOYI logo is centered on the left side of the page.

**NOYI**

**NOYI**

Manufacturer of Global Water Treatment Products

Noyi Environmental Equipment Manufacturing(Beijing)Co.,Ltd.  
Address: Yukou Industrial Zone, Pinggu District, Beijing, China 101206  
Tel: +86 10 61901218 Fax: +86 10 61900780  
E-mail: [noyi@noyiwater.com](mailto:noyi@noyiwater.com)



Visit our website!

**NOYI CATALOGUE**



**PRODUCT BROCHURE**

# ABOUT US

NOYI Environmental Equipment Manufacturing(Beijing)Co.,Ltd. was established on September 21, 2011, in Beijing, China. The factory covers an area of 100,000 square meters. As a professional manufacturer of FRP tanks and membrane housing with R&D capability and after-service, NOYI is capable of manufacturing a million products per year.

Dedicated to manufacturing first-class high quality water treatment products with the pursuit of excellence and customer satisfaction, NOYI is looking forward to working with customers from all over the world.

**20+**  
YEARS

Dedicated to the production of equipments for water treatment industry.

**1000000+**  
m<sup>2</sup>

Two manufacturing plants (Beijing/Liaoning) cover an area of 100,000+ square meters.

**80+**  
COUNTRIES

Lead domestic market share in China. Export to over 80 countries and regions in the world.

# CORE VALUES

RESILIENCE PRACTICALITY

INNOVATION DEVELOPMENT

# MILESTONE

## CONFORMING TO MARKET DEMAND WALKING NON-STOP FOR 20+ YEARS

**1998-2002**

Brand 1.0 Era - Small Product, Big Challenge  
Established Rousing, a small water treatment workshop.  
Produced brine tanks, water tanks and carbon steel tanks.  
Conducted R&D and experiments on FRP tanks.

**2003-2010**

Brand 2.0 Era - Build Brand Image, Stand out from Domestic Market  
Built a factory in Beijing, started to produce FRP tanks, put them into the market.  
Realized mass production and formed brand influence in domestic market.

**2011-2017**

Brand 3.0 Era - Go Global, Quality Takes Priority  
Created brand "NOYI" focusing on oversea market in 2011.  
Implemented an international quality management system complying with PED requirements and obtained NSF, ISO9001 etc.

Established membrane housing production lines and obtained ASME certification.

Developed residential FRP tanks for cabinets and entered international market.

**2018 -NOW**

Brand 4.0 Era - Emphasizing scale, Intelligence, Innovation  
Established Liaoning factory, achieving 800,000 FRP tanks capacity per year.  
Introduced intelligent robotic systems for automated small-size tank production.  
Independently developed equipment for manufacturing of FRP tanks.



# CERTIFICATION



# PRODUCT INTRODUCTION

## FRP TANKS



- 20+ years of experience in FRP tanks
- Over 130 sizes from 5×13 to 63×86
- Lead in quality in the world
- Independent production of accessories and equipment
- NSF/ANSI standard 44 certified

## MEMBRANE HOUSING



- Quality reaches international standard
- The equipment has reached the advanced level in the industry
- Working pressure 300PSI-1200PSI
- Diameter 2.5", 4", 8"
- Membrane elements from 1 to 7

## BRINE TANKS



- Process category: blow molding, rotational molding
- Size: 65L-800L
- Provide a variety of color customization
- Self-produced accessories
- Products can be stacked, easy to transport

## DTRO HOUSING



- Operating pressure: 75Bar/90Bar/120Bar/160Bar
- Length of housing: 1200mm
- Color: Natural/White

# FRP TANKS

FRP tank is a core component of water treatment, widely used in water softening, water filtration, ion exchange, ultra-pure water etc. NOYI has remained steadfast in delivering high-quality, high-performance FRP tanks, dedicated to enhancing water environments for our customers.

## Operating Parameters



**Maximum operating pressure**  
10.5Bar (150psi)



**Operating temperature range**  
1-50°C (34-122°F)



**Maximum vacuum**  
17KPa (5"Hg)

## Product Description

**Size range**  
5"-63"



**Color options**  
Natural/Blue/Grey/Black/Green



**Opening options**  
2.5"、4"-8UN、6"-FLG



**Warranty**  
10 years warranty for 5" to 13" tanks  
5 years warranty for 14" to 63" tanks



NOTE: FLEXIBLE CONNECTOR MUST BE INSTALLED BETWEEN HARD PIPING AND TANK OPENINGS. AN ADEQUATE VACUUM BREAKER MUST BE INSTALLED BETWEEN TANK INLET AND ANY VALVE. FAILURE TO INSTALL FLEXIBLE CONNECTOR AND VACUUM BREAKER PROPERLY WHEN REQUIRED WILL VOID THE WARRANTY.

# Numbers about FRP Tanks

## Engineered for excellence

### High-Performance Compression Resistance

Fatigue test: **100,000** cycles  
Burst test: **4** times of operating

### Stability and Innovation

Over **98%** of our components are independently developed and manufactured, ensuring consistent and cutting-edge performance.

### Versatile Options

Choose from a selection of over **130** models to meet a wide range of applications.  
Custom tanks are available.

### Efficient Manufacturing

Our state-of-the-art production lines produce one tank approximately every **25** seconds, ensuring prompt delivery.

### Premium Materials

Featuring an integrated HDPE liner for **100%** rust and corrosion prevention.

### Strong Production Capacity

All **10** production lines are operating at full capacity, ensuring timely fulfillment of orders.

### Lightweight and Cost-Effective

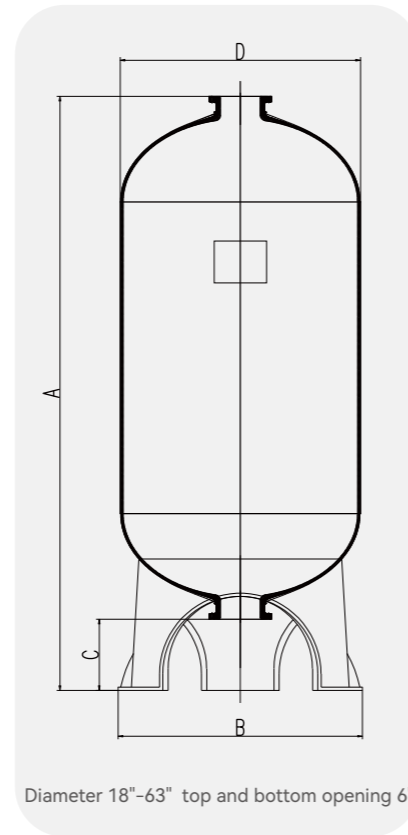
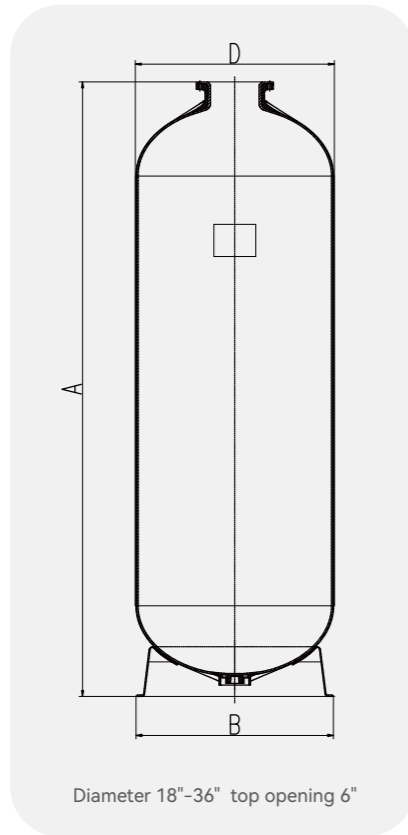
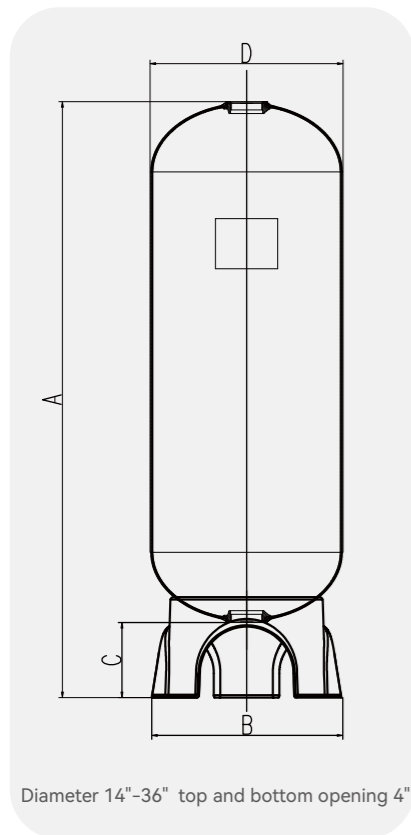
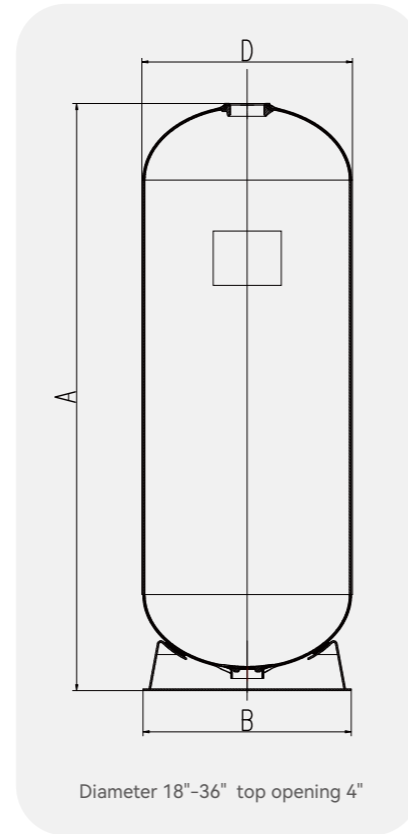
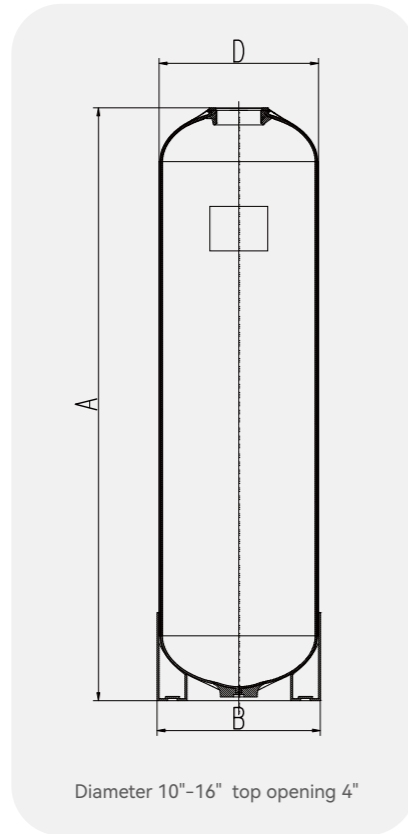
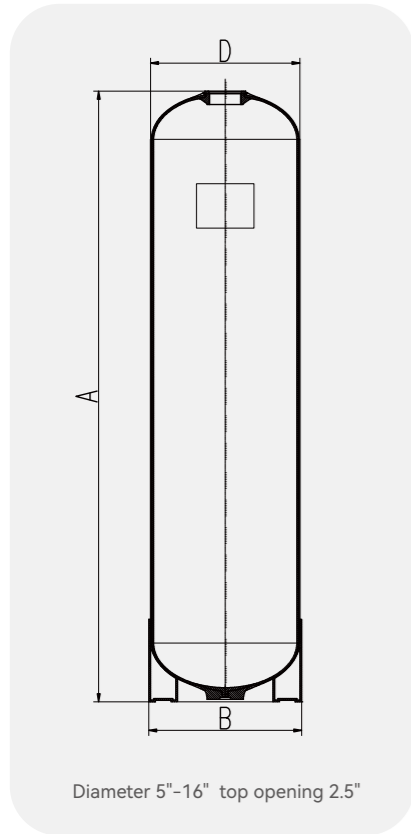
Weighing only **1/3** of steel tanks of similar specifications, our tanks offer portability and economic efficiency.

### Unparalleled Quality Control

Our after-sales service rate is less than **1/10000**, reflecting our commitment to quality assurance.



## FRP TANKS-SPECIFICATION



## FRP TANKS-SPECIFICATION

No.	Size (Inches)	Opening		Volume		Base	Dimensions			
		Top	Bottom	Liter	Gallon		A(mm)	B(mm)	C(mm)	D(mm)
1	5 x 13	2.5"	/	3.1	0.8	Standard	335±6	Φ134		Φ130
2	5 x 17	2.5"	/	4.3	1.1	Standard	437±6	Φ134		Φ130
3	5 x 24	2.5"	/	6.4	1.7	Standard	617±6	Φ134		Φ130
4	6 x 13	2.5"	/	4.7	1.2	Standard	329±3	Φ164		Φ159
5	6 x 17	2.5"	/	6.5	1.7	Standard	431±3	Φ164		Φ159
6	6 x 18	2.5"	/	7.0	1.8	Standard	457±3	Φ164		Φ159
7	6 x 24	2.5"	/	9.8	2.6	Standard	611±3	Φ164		Φ159
8	6 x 35	2.5"	/	14.8	3.9	Standard	891±3	Φ164		Φ159
9	7 x 13	2.5"	/	6.1	1.6	Standard	335±6	Φ186		Φ180
10	7 x 17	2.5"	/	8.4	2.2	Standard	435±6	Φ186		Φ180
11	7 x 24	2.5"	/	12.4	3.3	Standard	605±6	Φ186		Φ180
12	7 x 30	2.5"	/	16	4.2	Standard	770±6	Φ186		Φ180
13	7 x 35	2.5"	/	18.8	5.0	Standard	892±6	Φ186		Φ180
14	7 x 44	2.5"	/	24	6.3	Standard	1120±6	Φ186		Φ180
15	8 x 13	2.5"	/	7.8	2.1	Standard	332±6	Φ212		Φ207
16	8 x 17	2.5"	/	10.8	2.9	Standard	435±6	Φ212		Φ207
17	8 x 19	2.5"	/	12.3	3.2	Standard	484±6	Φ212		Φ207
18	8 x 24	2.5"	/	16.4	4.3	Standard	620±6	Φ212		Φ207
19	8 x 30	2.5"	/	20.8	5.5	Standard	768±6	Φ212		Φ207
20	8 x 35	2.5"	/	24.5	6.5	Standard	892±6	Φ212		Φ207
21	8 x 44	2.5"	/	31.2	8.2	Standard	1125±6	Φ212		Φ207
22	9 x 17	2.5"	/	13.8	3.6	Standard	450±6	Φ235		Φ231
23	9 x 24	2.5"	/	20.5	5.4	Standard	617±6	Φ235		Φ231
24	9 x 30	2.5"	/	26.9	7.1	Standard	770±6	Φ235		Φ231
25	9 x 35	2.5"	/	32.1	8.5	Standard	895±6	Φ235		Φ231
26	9 x 42	2.5"	/	38.4	10.1	Standard	1070±6	Φ235		Φ231
27	9 x 48	2.5"	/	44.4	11.7	Standard	1221±6	Φ235		Φ231
28	10 x 17	2.5"	/	16.7	4.4	Standard	440±6	Φ261		Φ258
29	10 x 19	2.5"	/	19.3	5.1	Standard	479±6	Φ261		Φ258
30	10 x 24	2.5"	/	25.2	6.7	Standard	605±6	Φ261		Φ258
31	10 x 30	2.5"	/	33.0	8.7	Standard	775±6	Φ261		Φ258
32	10 x 30	4"-8UN	/	33.0	8.7	Standard	775±6	Φ261		Φ258
33	10 x 35	2.5"	/	39.4	10.4	Standard	896±6	Φ261		Φ258
34	10 x 35	4"-8UN	/	39.4	10.4	Standard	900±6	Φ261		Φ258
35	10 x 44	2.5"	/	51.2	13.5	Standard	1128±6	Φ261		Φ258

## FRP TANKS-SPECIFICATION

No.	Size (Inches)	Opening		Volume		Base	Dimensions			
		Top	Bottom	Liter	Gallon		A(mm)	B(mm)	C(mm)	D(mm)
36	10 x 44	4"-8UN	/	51.2	13.5	Standard	1130±6	Φ261		Φ258
37	10 x 47	2.5"	/	54.1	14.3	Standard	1190±6	Φ261		Φ258
38	10 x 54	2.5"	/	63.3	16.7	Standard	1388±6	Φ261		Φ258
39	10 x 54	4"-8UN	/	63.3	16.7	Standard	1388±6	Φ268		Φ258
40	12 x 48	2.5"	/	77.6	20.5	Standard	1227±6	Φ311		Φ306
41	12 x 52	2.5"	/	84.5	22.3	Standard	1322±6	Φ311		Φ306
42	12 x 65	2.5"	/	107.2	28.3	Standard	1652±6	Φ311		Φ306
43	13 x 44	2.5"	/	82.3	21.7	Standard	1112±6	Φ336		Φ332
44	13 x 44	4"-8UN	/	82.3	21.7	Standard	1112±6	Φ336		Φ334
45	13 x 54	2.5"	/	103	27.2	Standard	1369±6	Φ336		Φ332
46	13 x 54	4"-8UN	/	103	27.2	Standard	1375±6	Φ336		Φ334
47	14 x 47	2.5"	/	99.7	26.3	Standard	1185±6	Φ363		Φ358
48	14 x 47	4"-8UN	/	99.7	26.3	Standard	1197±6	Φ363		Φ360
49	14 x 52	2.5"	/	111.6	29.5	Standard	1315±6	Φ363		Φ358
50	14 x 52	4"-8UN	/	111.6	29.5	Standard	1325±6	Φ363		Φ360
51	14 x 65	2.5"	/	142.4	37.6	Standard	1645±6	Φ363		Φ358
52	14 x 65	4"-8UN	/	142.4	37.6	Standard	1657±6	Φ363		Φ360
53	14 x 65	4"-8UN	4"-8UN	142.4	37.6	Tri-pod	1856±6	Φ360	230	Φ360
54	16 x 52	2.5"	/	147.4	38.9	Standard	1312±6	Φ414		Φ409
55	16 x 52	4"-8UN	/	147.4	38.9	Standard	1312±6	Φ414		Φ410
56	16 x 65	2.5"	/	188.2	49.7	Standard	1644±6	Φ414		Φ409
57	16 x 65	4"-8UN	/	188.2	49.7	Standard	1648±6	Φ414		Φ410
58	16 x 65	4"-8UN	4"-8UN	188.2	49.7	Tri-pod	1880±6	Φ410	250	Φ410
59	18 x 36	4"-8UN	/	122.6	32.4	Standard	940±10	Φ450		Φ464
60	18 x 53	4"-8UN	/	189	49.9	Standard	1366±10	Φ450		Φ464
61	18 x 65	4"-8UN	/	236.6	62.5	Standard	1670±10	Φ450		Φ464
62	18 x 65	4"-8UN	4"-8UN	236.6	62.5	Tri-pod	1950±10	Φ460	320	Φ464
63	18 x 68	6"-FLG	/	263.8	69.7	Standard	1850±25	Φ450		Φ469
64	18 x 68	6"-FLG	6"-FLG	263.8	69.7	Tri-pod	2120±25	Φ460	250	Φ469
65	21 x 36	4"-8UN	/	165.6	43.8	Standard	958±10	Φ532		Φ540
66	21 x 53	4"-8UN	/	258	68.2	Standard	1390±10	Φ532		Φ540
67	21 x 62	4"-8UN	/	307.2	81.2	Standard	1620±10	Φ532		Φ540
68	21 x 62	4"-8UN	4"-8UN	307.2	81.2	Tri-pod	1890±10	Φ550	330	Φ540
69	21 x 66	6"-FLG	/	321.6	85.0	Standard	1745±25	Φ530		Φ544
70	21 x 66	6"-FLG	6"-FLG	321.6	85.0	Tri-pod	2010±25	Φ550	260	Φ544

## FRP TANKS-SPECIFICATION

No.	Size (Inches)	Opening		Volume		Base	Dimensions			
		Top	Bottom	Liter	Gallon		A(mm)	B(mm)	C(mm)	D(mm)
71	24 x 65	4"-8UN	/	423.4	111.9	Standard	1720±10	Φ612		Φ615
72	24 x 65	4"-8UN	4"-8UN	423.4	111.9	Tri-pod	1916±10	Φ610	245	Φ615
73	24 x 72	4"-8UN	/	478.2	126.3	Standard	1900±10	Φ612		Φ615
74	24 x 72	4"-8UN	4"-8UN	478.2	126.3	Tri-pod	2090±10	Φ610	245	Φ615
75	24 x 75	6"-FLG	/	459.7	121.5	Standard	1905±25	Φ612		Φ617
76	24 x 75	6"-FLG	6"-FLG	459.7	121.5	Tri-pod	2180±25	Φ630	265	Φ617
77	30 x 65	4"-8UN	/	632.5	167.1	Standard	1710±10	Φ752		Φ767
78	30 x 65	4"-8UN	4"-8UN	632.5	167.1	Tri-pod	1897±10	Φ762	235	Φ767
79	30 x 72	4"-8UN	/	715.5	189.0	Standard	1890±10	Φ752		Φ767
80	30 x 72	4"-8UN	4"-8UN	715.5	189.0	Tri-pod	2077±10	Φ762	235	Φ767
81	30 x 72	6"-FLG	6"-FLG	735	194.2	Tri-pod	2245±25	Φ780	265	Φ767
82	30 x 78	6"-FLG	/	780.8	206.3	Standard	2060±25	Φ752		Φ772
83	36 x 65	4"-8UN	/	895.1	236.5	Standard	1785±10	Φ900		Φ920
84	36 x 65	4"-8UN	4"-8UN	895.1	236.5	Tri-pod	2010±10	Φ930	350	Φ920
85	36 x 72	4"-8UN	/	1008	266.3	Standard	1965±10	Φ900		Φ920
86	36 x 72	4"-8UN	4"-8UN	1008	266.3	Tri-pod	2190±10	Φ930	350	Φ920
87	36 x 72	6"-FLG	6"-FLG	1036.4	273.8	Tri-pod	2270±25	Φ920	275	Φ923
88	36 x 78	6"-FLG	/	1136.4	300.2	Standard	2170±25	Φ910		Φ923
89	42 x 63	6"-FLG	6"-FLG	1224	323.4	Tri-pod	2145±25	Φ1070	365	Φ1085
90	42 x 72	6"-FLG	6"-FLG	1425	376.5	Tri-pod	2375±25	Φ1070	365	Φ1085
91	48 x 72	6"-FLG	6"-FLG	1746.3	461.4	Tri-pod	2365±25	Φ1180	365	Φ1220
92	63 x 67	6"-FLG	6"-FLG	2623	693.0	Tri-pod	2095±25	Φ1590	330	Φ1620
93	63 x 86	6"-FLG	6"-FLG	3296	838.8	Tri-pod	2460±25	Φ1590	330	Φ1620

※: Measurements are subject to change without notice and are for reference only.  
 ※: Please refer the individual drawing for dimension, volumes and weight etc.

NOTE: FLEXIBLE CONNECTOR MUST BE INSTALLED BETWEEN HARD PIPING AND TANK OPENINGS. AN ADEQUATE VACUUM BREAKER MUST BE INSTALLED BETWEEN TANK INLET AND ANY VALVE. FAILURE TO INSTALL FLEXIBLE CONNECTOR AND VACUUM BREAKER PROPERLY WHEN REQUIRED WILL VOID THE WARRANTY.

# FRP TANKS FOR RESIDENTIAL WATER SOFTENER



FRP tank for residential water softener is an important component inside the water softener, filled with ion exchange resin and other exchange agents, which can effectively remove calcium and magnesium ions in water to achieve the purpose of softening water. Our company has been entering the overseas market since 2016 and through nearly 10 years of development, FRP tank for residential water softener has reached international advanced level.

## Operating Parameters



**Maximum operating pressure**  
10.5Bar(150psi)



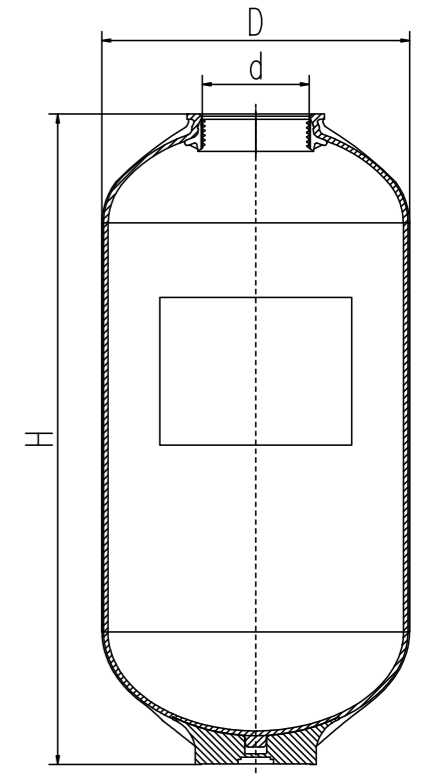
**Operating temperature range**  
1-50°C(34-122°F)



**Maximum vacuum**  
17KPa(5"Hg)

## FRP TANKS FOR RESIDENTIAL WATER SOFTENER-SPECIFICATION

Size (Inches)	Volume		Opening d/(Inches)	Height H/(mm)	Diameter D/(mm)
	Liter	Gallon			
5x13	3.1	0.8	2.5"TOP OPENING	329±3	129
5x17	4.3	1.1	2.5"TOP OPENING	431±3	129
5x24	6.4	1.7	2.5"TOP OPENING	611±3	129
6x13	5.3	1.4	2.5"TOP OPENING	329±3	159
6x17	7.1	1.9	2.5"TOP OPENING	431±3	159
6x18	7.6	2.0	2.5"TOP OPENING	457±3	159
6x24	9.8	2.6	2.5"TOP OPENING	611±3	159
6x35	15.4	4.1	2.5"TOP OPENING	891±3	159
7x13	6.8	1.8	2.5"TOP OPENING	329±3	180
7x17	9.4	2.5	2.5"TOP OPENING	431±3	180
7x19	11.6	3.1	2.5"TOP OPENING	483±3	180
7x24	13.8	3.6	2.5"TOP OPENING	611±3	180
7x30	17.8	4.7	2.5"TOP OPENING	771±3	180
7x35	20.7	5.5	2.5"TOP OPENING	891±3	180
8x13	8.8	2.3	2.5"TOP OPENING	329±3	207
8x17	12.1	3.2	2.5"TOP OPENING	431±3	207
8x18	12.9	3.4	2.5"TOP OPENING	457±3	207
8x24	18.0	4.8	2.5"TOP OPENING	611±3	207
8x30	23.2	6.1	2.5"TOP OPENING	771±3	207
8x35	27.1	7.2	2.5"TOP OPENING	891±3	207
9x17	15.0	4.0	2.5"TOP OPENING	431±3	231
9x24	22.3	5.9	2.5"TOP OPENING	611±3	231
9x30	28.8	7.6	2.5"TOP OPENING	771±3	231
9x35	33.7	8.9	2.5"TOP OPENING	891±3	231
10x17	18.4	4.9	2.5"TOP OPENING	431±3	258
10x19	21.1	5.6	2.5"TOP OPENING	483±3	258
10x24	27.6	7.3	2.5"TOP OPENING	611±3	258
10x30	35.8	9.5	2.5"TOP OPENING	771±3	258
10x35	41.9	11.1	2.5"TOP OPENING	891±3	258



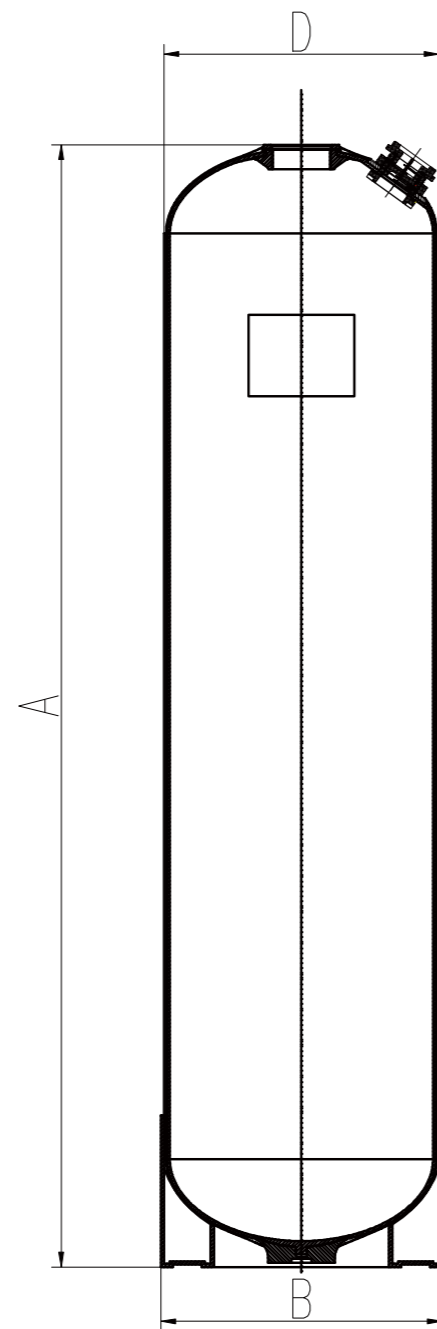
※: Measurements are subject to change without notice and are for reference only.

※: Please refer the individual drawing for dimension, volumes and weight etc.

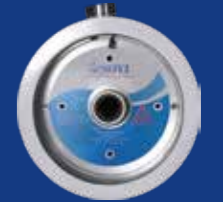


## FRP TANKS WITH TOP DOME SIDE PORT-SPECIFICATION

No.	Size (Inches)	Opening			Volume		Base	Dimensions			
		Top	Bottom	Filling port	Liter	Gallon		A(mm)	B(mm)	C(mm)	D(mm)
1	10x44	2.5"	/	G1½"	51.2	13.5	Standard	1128±6	Φ261		Φ259
2	10x54	2.5"	/	G1½"	63.3	16.7	Standard	1388±6	Φ261		Φ259
3	12x52	2.5"	/	G1½"	84.5	22.3	Standard	1322±6	Φ311		Φ308
4	13x54	2.5"	/	G1½"	103	27.2	Standard	1369±6	Φ336		Φ334



## MEMBRANE HOUSING



EMBEDMENT



GROOVE

Based on nearly 20 years of successful experience in tank winding, NOYI launched its membrane housing series products in 2015, aiming to create a collection of products for the water industry. The products obtained ASME certification shortly after initial launch and have since reached international advanced levels.

NOYI's membrane housing series products cover a working pressure range of 300 PSI to 1200 PSI, with diameters of 2.5", 4", and 8", and a full range of 1-7 membrane element options. They are suitable for various domestic and international standard membrane elements from brands such as DOW, HYDRANAUTICS, GE, TORAY, CSM, LG, and VONTRON.



### Advanced Technology

Utilizing industry-leading computer multi-axis winding systems, product curing systems, automatic tension control systems, and other equipment. The process complies with ASME specifications.



### Attractive Appearance

Products undergo meticulous polishing and painting processes, resulting in a shiny, aesthetically pleasing housing with texture.



### High-Quality Materials

Carefully selecting high-quality materials from top brands, pressure plates are made of high-quality aluminum cast in one piece, plastic parts use high-quality fiber-reinforced thermoplastic composite materials, and metal parts use stainless steel to ensure high pressure resistance and strong corrosion resistance.



### Strict Quality Control

The structural design fully complies with industry standards and market applications. It meets 100,000 fatigue tests and 6 times of the burst tests.



## MEMBRANE HOUSING-SPECIFICATION

Diameter	Pressure	1 Element	2 Element	3 Element	
8"	300psi	NY8-S-300-1	NY8-S-300-2	NY8-S-300-3	
		NY8-S-300-1	NY8-S-300-2	NY8-S-300-3	
		NY8-E-300-1	NY8-E-300-2	NY8-E-300-3	
	450psi	NY8-S-450-1	NY8-S-450-2	NY8-S-450-3	
		NY8-E-450-1	NY8-E-450-2	NY8-E-450-3	
	600psi	NY8-S-600-1	NY8-S-600-2	NY8-S-600-3	
		NY8-E-600-1	NY8-E-600-2	NY8-E-600-3	
	1000psi	NY8-S-1000-1	NY8-S-1000-2	NY8-S-1000-3	
		NY8-E-1000-1	NY8-E-1000-2	NY8-E-1000-3	
	1200psi	NY8-S-1200-1	NY8-S-1200-2	NY8-S-1200-3	
		NY8-E-1200-1	NY8-E-1200-2	NY8-E-1200-3	
	4"	300psi	R4-S-300-1	R4-S-300-2	R4-S-300-3
R4-E-300-1			R4-E-300-2	R4-E-300-3	
450psi		R4-S-450-1	R4-S-450-2	R4-S-450-3	
		R4-E-450-1	R4-E-450-2	R4-E-450-3	
600psi		R4-S-600-1	R4-S-600-2	R4-S-600-3	
		R4-E-600-1	R4-E-600-2	R4-E-600-3	
1000psi		R4-S-1000-1	R4-S-1000-2	R4-S-1000-3	
		R4-E-1000-1	R4-E-1000-2	R4-E-1000-3	
1200psi		R4-S-1200-1	R4-S-1200-2	R4-S-1200-3	
		R4-E-1200-1	R4-E-1200-2	R4-E-1200-3	
2.5"		300psi	R25-E-300-14	R25-E-300-21	R25-E-300-1
		1000psi	R25-E-1000-14	R25-E-1000-21	R25-E-1000-1

## MEMBRANE HOUSING-SPECIFICATION

4 Element	5 Element	6 Element	7 Element	Notes
NY8-S-300-4	NY8-S-300-5	NY8-S-300-6	NY8-S-300-7	GROOVE
NY8-S-300-4	NY8-S-300-5	NY8-S-300-6	NY8-S-300-7	EMBEDMENT
NY8-E-300-4	NY8-E-300-5	NY8-E-300-6	NY8-E-300-7	EMBEDMENT
NY8-S-450-4	NY8-S-450-5	NY8-S-450-6	NY8-S-450-7	EMBEDMENT
NY8-E-450-4	NY8-E-450-5	NY8-E-450-6	NY8-E-450-7	EMBEDMENT
NY8-S-600-4	NY8-S-600-5	NY8-S-600-6	NY8-S-600-7	EMBEDMENT
NY8-E-600-4	NY8-E-600-5	NY8-E-600-6	NY8-E-600-7	EMBEDMENT
NY8-S-1000-4	NY8-S-1000-5	NY8-S-1000-6	NY8-S-1000-7	EMBEDMENT
NY8-E-1000-4	NY8-E-1000-5	NY8-E-1000-6	NY8-E-1000-7	EMBEDMENT
NY8-S-1200-4	NY8-S-1200-5	NY8-S-1200-6	NY8-S-1200-7	EMBEDMENT
NY8-E-1200-4	NY8-E-1200-5	NY8-E-1200-6	NY8-E-1200-7	EMBEDMENT
R4-S-300-4				GROOVE
R4-E-300-4				GROOVE
R4-S-450-4				GROOVE
R4-E-450-4				GROOVE
R4-S-600-4				GROOVE
R4-E-600-4				GROOVE
R4-S-1000-4				GROOVE
R4-E-1000-4				GROOVE
R4-S-1200-4				GROOVE
R4-E-1200-4				GROOVE
				GROOVE
				GROOVE

NOTE: All part numbers, pressure ratings and related specifications are accurate as of this printing, for the latest information please contact our authorized NOYI sales agent. LEGEND: E: End port S: Side port

## MEMBRANE HOUSING-SELECTION TABLE

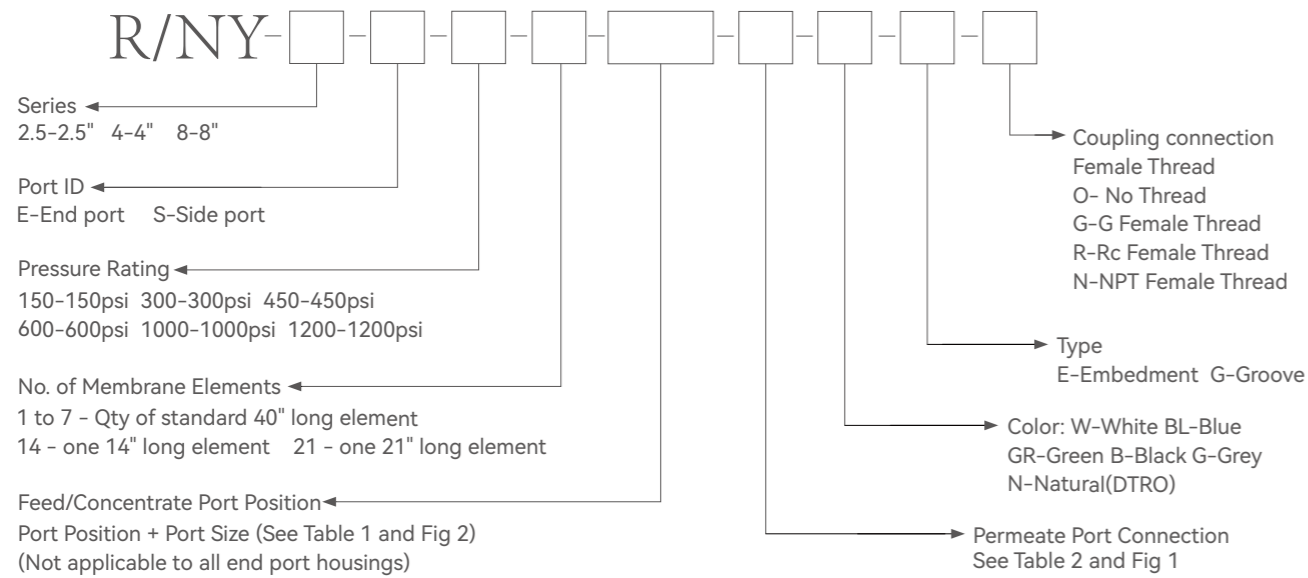


Table1	Code: Feed/Concentrate Port (Pipe Size and Connection)			
2.5"	4"		8"	
G ¼" NPT	N	1.0"IPS Side Port	A	1.5"IPS Side Port
H ¼" Rc	O	¾" NPT	B	2.0"IPS Side Port
I ¼" G	P	¾" Rc	C	2.5"IPS Side Port
	Q	¾" G	D	3.0"IPS Side Port
	R	½" NPT	E	4.0"IPS Side Port
	S	½" Rc		
	T	½" G		

Notes: F: Female Thread, M: Male Thread.  
Example: "OM" represents ¾" NPT Male Thread.

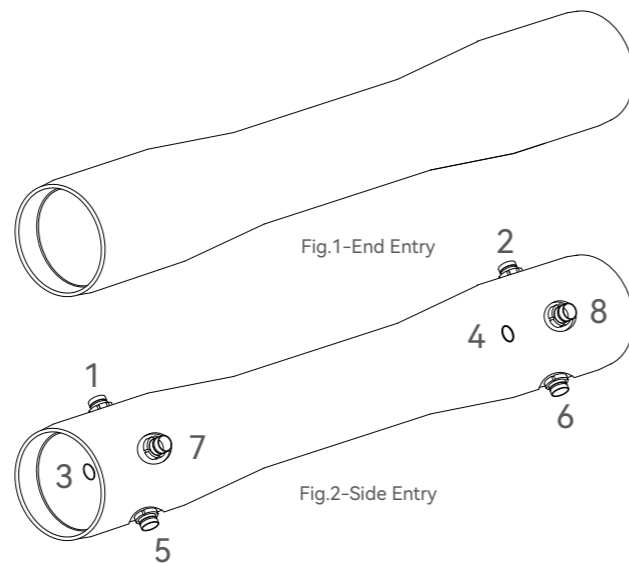
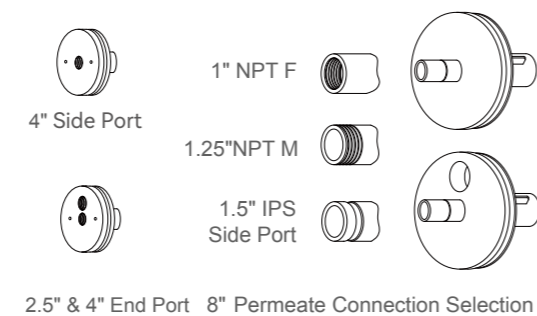


Table2	Code: Permeate Port (Pipe Size and Connection)			
2.5"	4"		8"	
1 ¼" NPT	4 ½" NPT	7 1.0" NPT	10 1.25" NPT	M
2 ¼" Rc	5 ½" Rc	8 1.0" Rc	11 1.5" IPS Side Port	
3 ¼" G	6 ½" G	9 1.0" G		

Notes: F: Female Thread, M: Male Thread.  
Example: "4M" represents ½" NPT Male Thread.



Material options for side/end port, please indicate in the order  
1. 304 2. 316L(Standard configuration) 3. 2205 4. 2507 5. others

## DTRO HOUSING



DTRO housing is designed for the separation or concentration of high-concentration slurry liquids, crafted with precision engineering and advanced materials, and offering unparalleled performance and durability.



### Epoxy Fiberglass Construction

The housing is constructed from epoxy fiberglass, ensuring lightweight, high strength, and exceptional corrosion resistance.



### Efficient Separation

Designed for the efficient separation or concentration of high-concentration slurry liquids, our housing delivers reliable performance in demanding applications.

## SPECIFICATION

Pressure	Inside Diameter (mm)	Length (mm)
75Bar	202	1200
90Bar	202	1200
120Bar	202	1200
160Bar	202	1200

# BRINE TANKS



Brine tank is an essential component of water softening systems, serving as a storage tank for salt solution. Made from high-quality PE material, it features internal accessories such as brine well, bottom grid, brine valves, guaranteeing the smooth operation of your water softener.



## Superior Quality

With 98% of the components independently developed and manufactured, our brine tanks offer unparalleled quality control, ensuring reliability and longevity.



## Cost-Effective Design

Designed for efficient transportation, our brine tanks can be stacked, reducing shipping costs and optimizing logistics.



## Aesthetic Appeal

Available in a variety of colors, our brine tanks are crafted with precision molds, providing not only functionality but also aesthetic enhancement to your space.

## BRINE TANKS-SPECIFICATION



### Residential Brine Tanks Specification

Model	Product Dimension(mm)	Package Dimension(mm)	Quantity of Each Carton(PCS)
65L	336x276x820	360x360x1400	5
100L	385x318x965	405x405x1670	5
200L	593x472x1045	630x630x1650	4



### Industrial Brine Tanks Specification

Model	Product Dimension(mm)	Package Dimension(mm)	Quantity of Each Carton(PCS)
300L	658x508x1270	718x718x2100	4
500L	808x660x1330	896x896x2100	4
800L	950x825x1475	1035x1035x2200	4



# APPLICATION CASES



High-Purity Water Project in Jiangsu Province's Electronics Industry



Large-scale Water Plant Project in Anhui Province



Industrial Project in Hubei Province



Multi-Provincial Agricultural Water Improvement Project



Vietnam Hotel Project



Middle East Industrial Project

